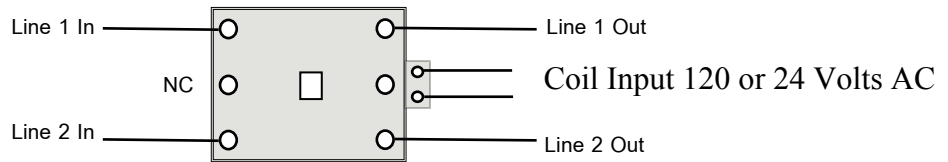




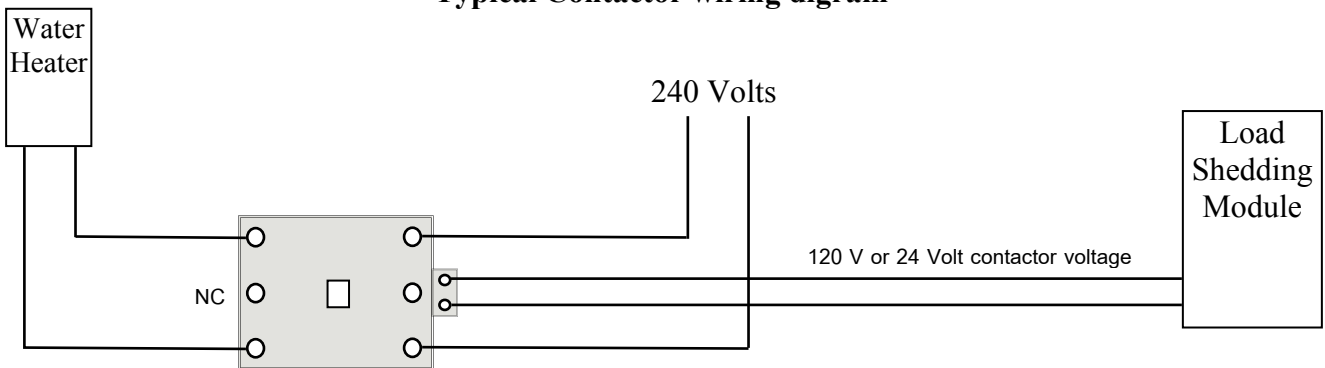
50, 65, 100 Amp Normally Open Contactor Installation Instructions

Important: Contactors are available in 120 & 24 Volt AC coil voltage. Confirm coil voltage is correct for your application to avoid damage to contactor. It will also be necessary to compare available VA capacity from your step down transformer when using 24 volt contactors. See VA rating chart below.

Terminal Configuration

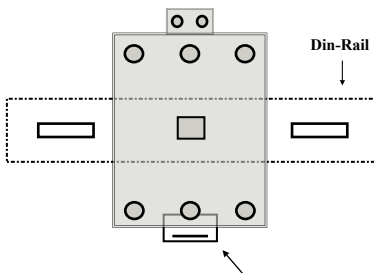


Typical Contactor wiring diagram



Under normal conditions contactor is activated and load is energized. Contactor is de-energized when load shedding is required.

Din-Rail Mounting Procedure



To attach contactor to din-rail insert flat bladed screw driver into slot and gently slide bar away from the contactor. Push down lightly on the contactor to lock in place on din rail.

VA Requirements

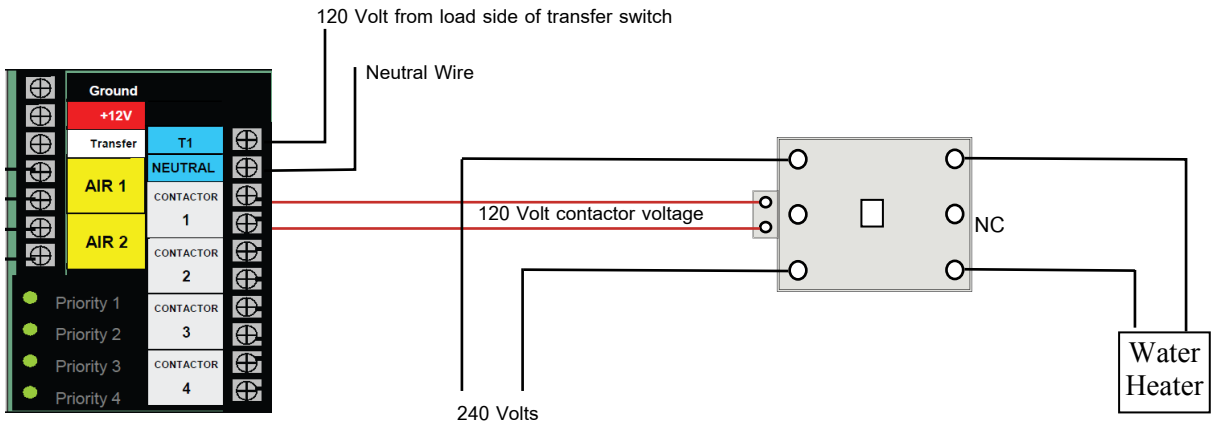
Model	Holding VA	In-Rush VA
LSC-50	18	25
LSC-65	22	30
LSC-100	25	35

Note: Inrush current of contactors is double normal holding VA

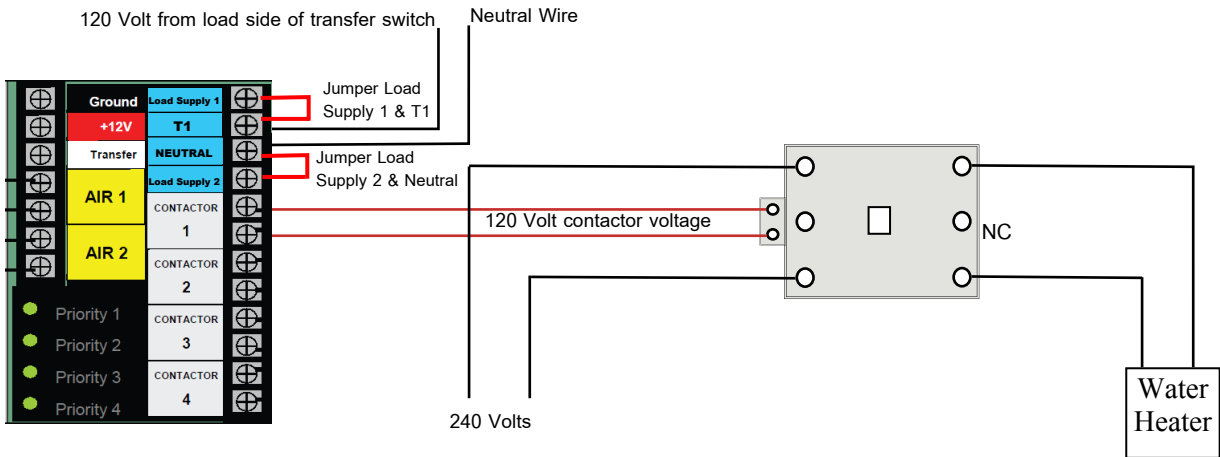
For conditions other than those described above, please contact a PSP Inc. Account Representative at (800) 648-6802 , or FAX (703) 368-8376 or www.surgeprogram.com
Thank you for choosing quality products from PSP Products Inc.

Load Shedding Contactor Wiring Configurations For Generac® Module

Version One Load Shedding Module for use with 120 Volt Contactors Only

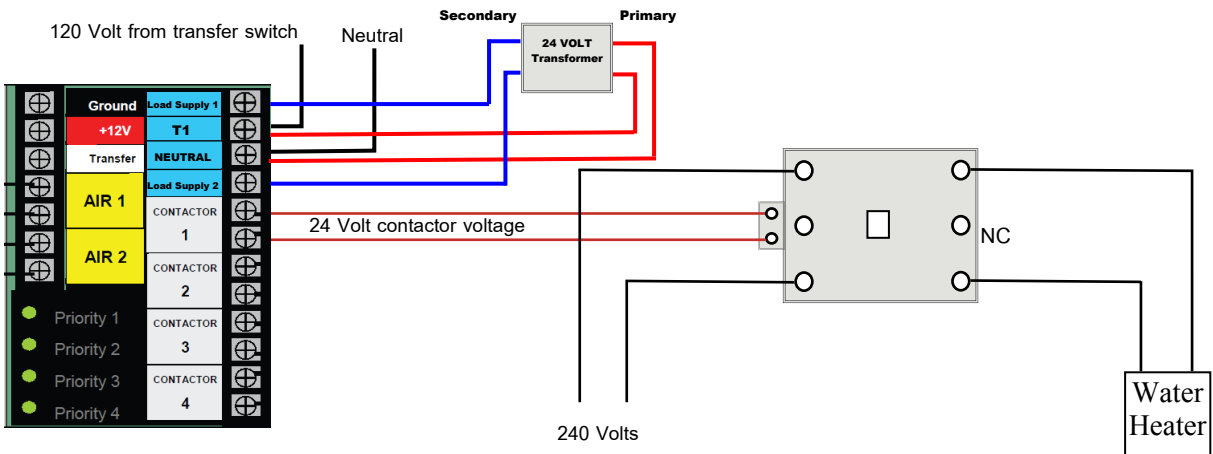


Version Two Load Shedding Module for use with 120 Volt Contactors



Version Two Load Shedding Module for use with 24 Volt Contactors

IMPORTANT NOTE: Larger contactors require a step down transformer with higher VA rating .Consult the VA rating chart when selecting a step down transformer



For conditions other than those described above, please contact a PSP Inc. Account Representative at (800) 648-6802 , or FAX (703) 368-8376 or www.surgeprogram.com
Thank you for choosing quality products from PSP Products Inc.