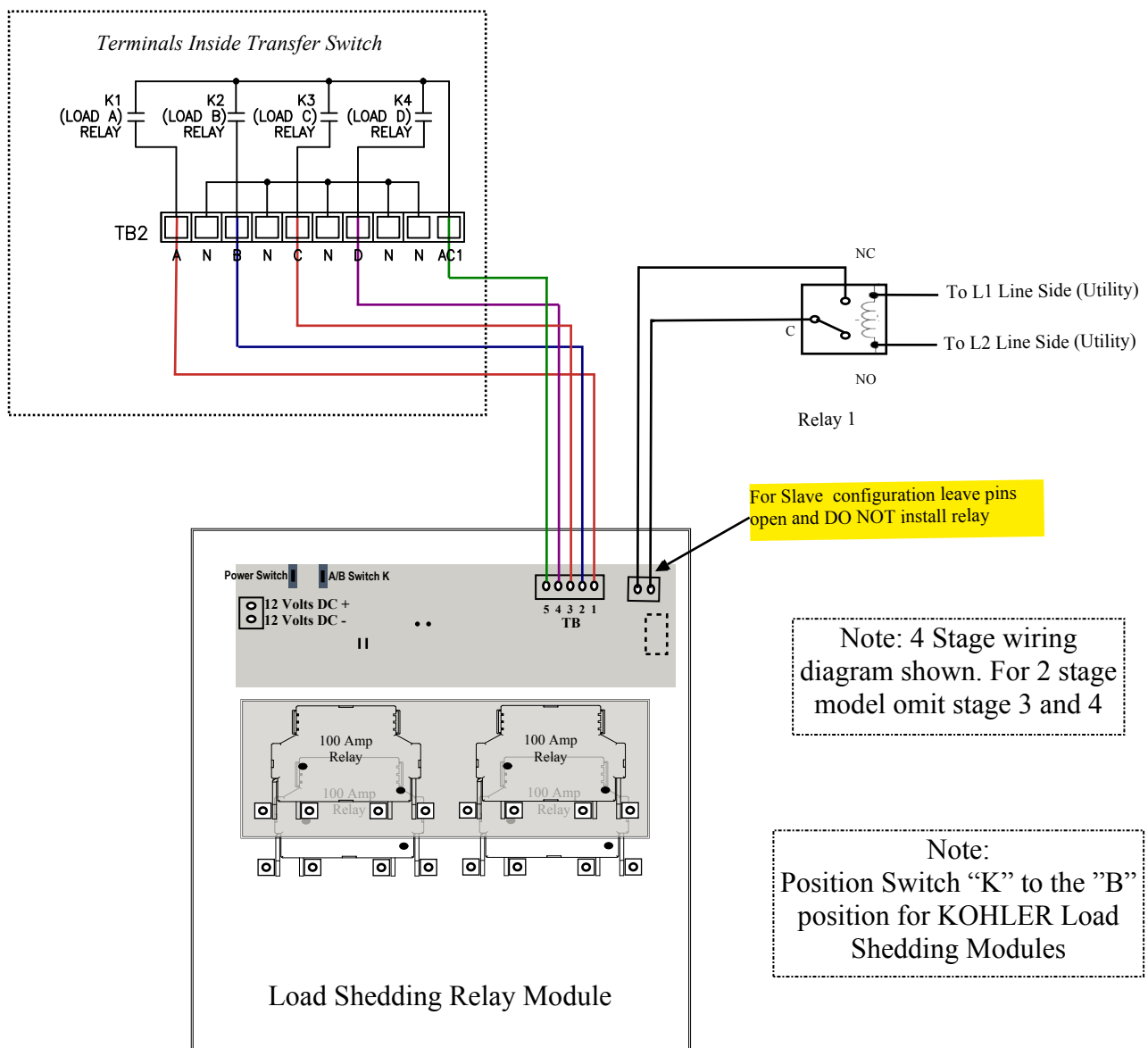


Kohler Wiring Diagram

Model LS101X4LX (Addendum To Drawing LH403)

Magnetic Relay Load Shedding Controller Wiring Diagram For Kohler® Transfer Switches With built in Load Regulating Control



Kohler Wiring Diagram

Model LS101X4LX (Addendum To Drawing LH403)

Magnetic Relay Load Shedding Controller Wiring Configurations For Kohler® Load Regulating Module

IMPORTANT NOTE: Load shedding module inputs on TB pins 1-4 are **LOW VOLTAGE** inputs of 27 or less. Voltages greater than 27 volts will damage the control board and void the warranty.

