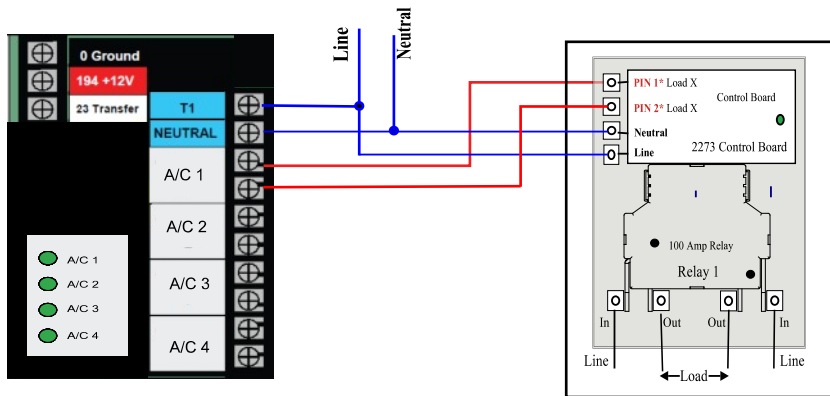
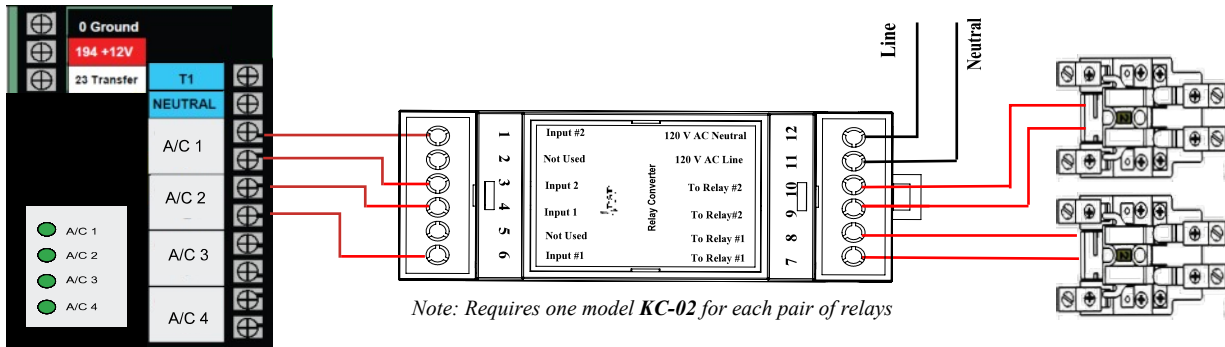
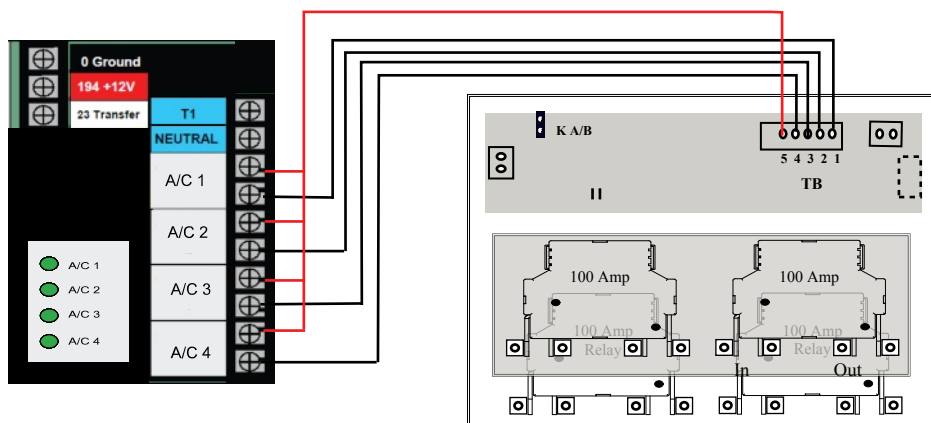


# Using Hard-Wired Relays and Contactors with the NEW GENERAC SMART A/C Module

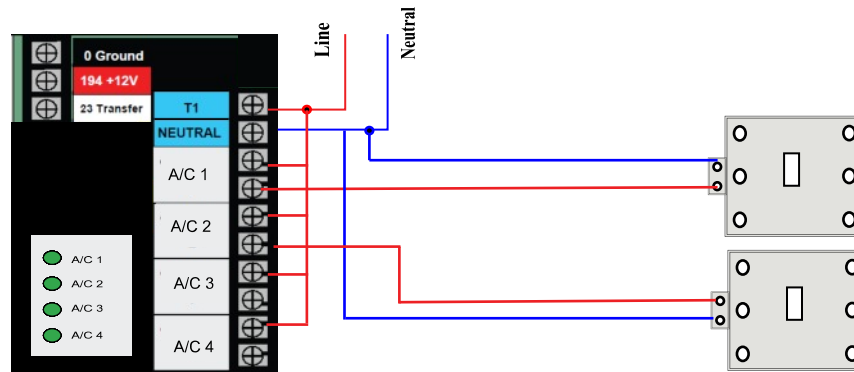
## Wiring diagram for 50 Amp Normally Closed Relays



**Wiring diagram**  
**One 100 or 200 amp**  
**Magnetic Latching Relay**



**Wiring diagram**  
**Two to Four 100 amp**  
**Magnetic Latching Relays**



**Wiring diagram**  
**One to four 50 to 300 amp**  
**Normally Open Contactors**