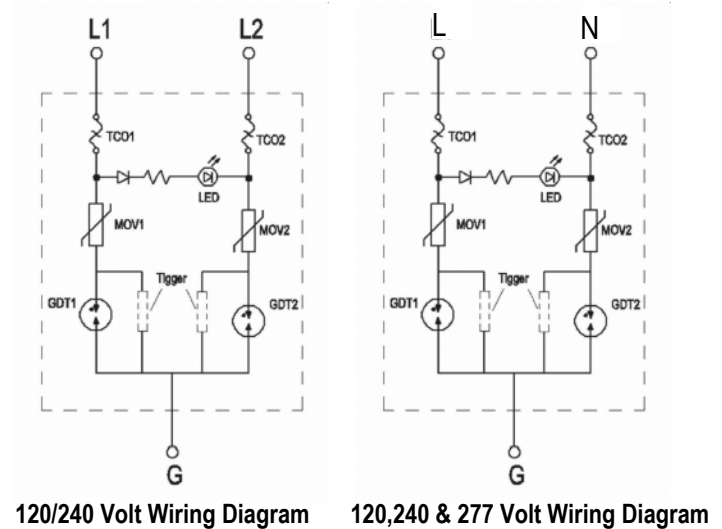


H75 Series LED Lighting Surge Protectors

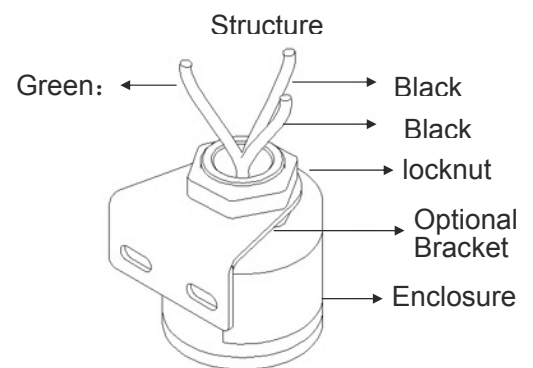
277, 240, 120/240 and 120 Volt Applications 75Ka Type 1 Surge Protector



H75 Series All Mode Protection With MOV and Dual Gas Tube Technology

Surge Protector Features

- Small Footprint, Nipple or Bracket Installation
- 75Ka I_{max} Surge Capacity
- U.L. 1449 3rd Addition In 10Ka Tested to **IEEE C62.41**
- Type 4X Indoor/Outdoor Enclosure
- Internal Thermal fused (MOV) suppression technology
- Light-emitting diode (LED) visual indicator
- Lifetime Warranty



PSP Products Inc.

8535 Phoenix Drive Manassas VA

800-648-6802

www.pspproducts.com

H75 Series LED Lighting Surge Protectors

277, 240, 120/240 and 120 Volt Applications 75Ka Type 1 Surge Protector

Specifications

Surge Protection Device UL Type:

Voltage range:

Nominal Discharge Current (In)

Maximum Surge Capacity (Imax)

Suppression Technology

Operating Temperature

Enclosure Type:

Connection Terminals:

Standards:

Warranty:

Type 1

277/240/120 & 120/240 Volt Single Phase

10 Ka

75 Ka

Thermally Protected MOV with Dual Gas Tubes

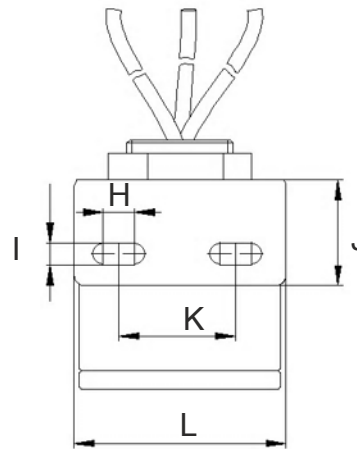
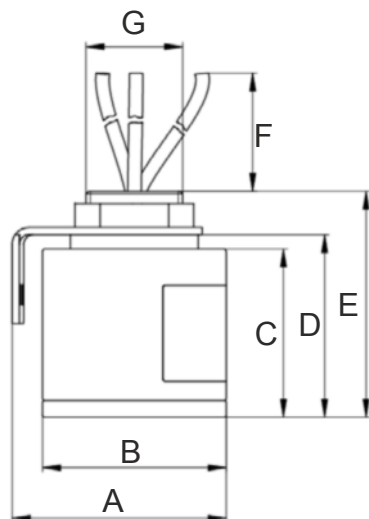
-40 C - +80 C

NEMA 4X Indoor Outdoor

Hardwire 12" 14 AWG Pigtail Leads

UL 1449 3rd Edition IEEE IP65 & 62.41

10 Year Warranty



A	B	C	D	E	F
1.73"	1.50"	1.45"	1.57"	1.92"	12.00"
G	H	I	J	K	L
0.787"	0.24"	0.165"	0.79"	0.866"	1.73"



PSP Products Inc.

8535 Phoenix Drive Manassas VA

800-648-6802

www.pspproductcs.com