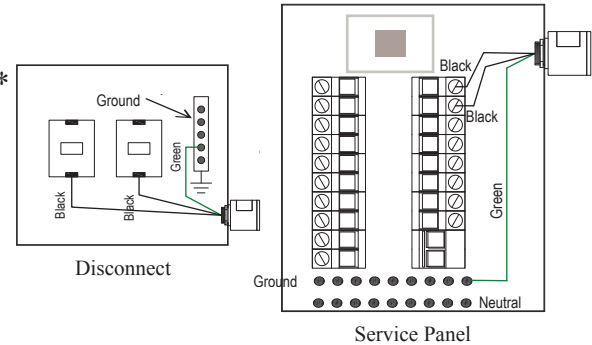
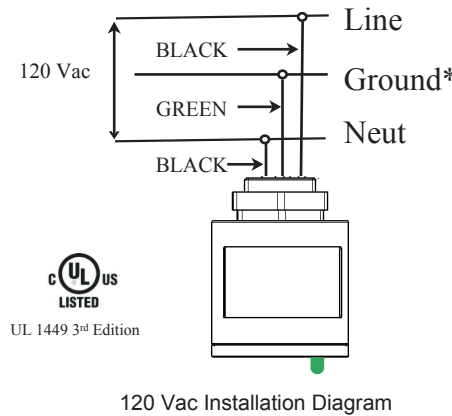
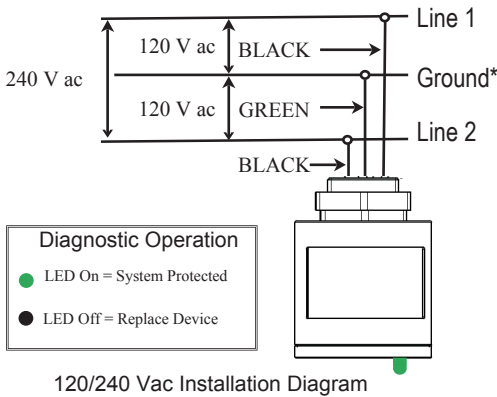




Model: H1-75-04N Surge Protection Device 120/240 Volt AC Type 1

Installation Instructions

- 1) To assure proper installation measure the voltage on each phase and insure the correct device is installed.
- 2) Turn off power to circuit where surge protector is to be installed.
- 3) Mount device so as to keep conductor length as short as possible. Cut wires to length and connect to circuit per wiring diagram below avoiding sharp bends or looping.
- 4) Reinstall covers, restore power and confirm diagnostic LED is illuminated.



Device Ratings	
Normal Voltage Per Leg	120Vac
Max. Operating Voltage (MCOV) Per Leg	150Vac
Max. Discharge Current (Imax)	75kA

Nipple mount to enclosure for type one installation

*All surge protection devices require good ground connection for effective operation

Technical Support Call 800-648-6802
8535 Phoenix Drive, Manassas VA 20110

Surge Protector Lifetime Warranty

PSP Products Inc. Warrants our surge protector model H175-04N to be free from defects in material and workmanship for the lifetime of the original purchaser. We will repair or replace any defective unit returned to us under the terms of this warranty. Warranty registrations cards must be completed and returned to us within 10 days of installation. The following exclusions apply. Units damaged as a result of direct or close proximity lightning strikes, sustained over voltages, improper installation, abuse or acts of god.

\$10,000 Connected Equipment Warranty

Under the terms of this warranty PSP Products Inc. Will repair or replace any motor or electro mechanical component of the connected HVAC system that is damaged as a result of a surge passing through our device. We will pay up to \$1000.00 per occurrence with a \$10,000 lifetime maximum. We reserve the right to repair/replace the damaged equipment or pay fair market value of the equipment at the time damage occurs. The surge protector must show signs of surge damage and not operating outside of its labeled specifications. The surge protector must be returned to PSP Products at the purchasers expense with any claims for damage. Damages resulting from sustained over voltages, direct or close proximity lightning strikes, improperly grounded or installed devices, acts and acts of god are excluded from this warranty. All claims must be made within 14 days of the surge occurrence.

Call 800-648-6802 to request a claim form