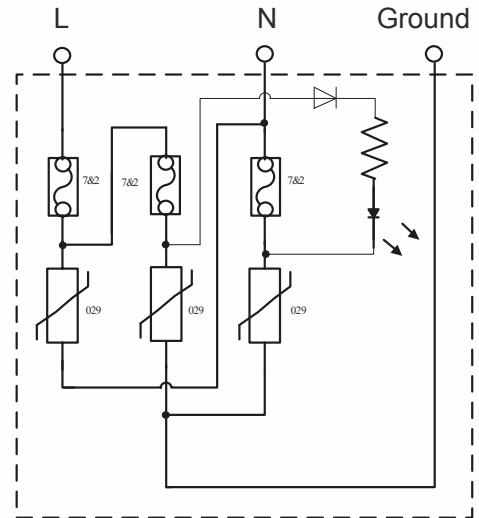



# H4S-75-04N LED Lighting Surge Protector

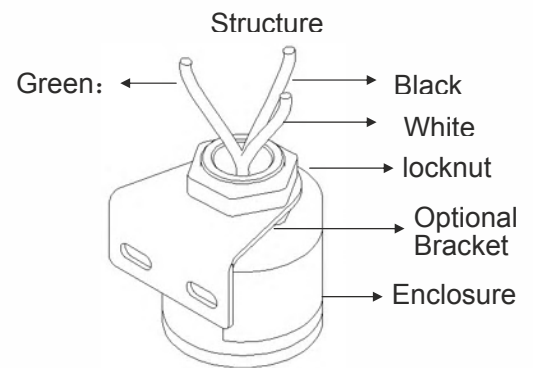
## 277 Volt AC Single Phase 75Ka Surge Protector



H4S-75-04N All Mode Protection with LED Diagnostics

### H4S-75-04N Single Phase Surge Protector Features

- Small Footprint, Nipple or Bracket Installation
- 75Ka I<sub>max</sub> Surge Capacity
- All Mode Surge Protector
-  U.L Recognized component In 10Ka
- Type 4X Indoor/Outdoor Enclosure
- Internal Thermal fused (MOV) suppression technology
- Light-emitting diode (LED) visual indicator
- 10 Year Warranty



PSP Products Inc.

8535 Phoenix Drive Manassas VA

800-648-6802

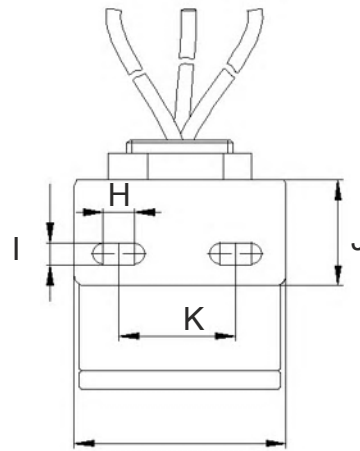
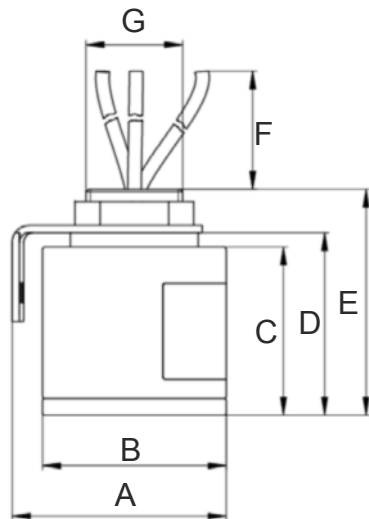
[www.pspproducts.com](http://www.pspproducts.com)

# H4S-75-04N LED Lighting Surge Protector

## 277 Volt AC Single Phase 75 Ka Surge Protector

### Specifications

<b>Surge Protection Device UL Type:</b>	<b>Type 2</b>
<b>Voltage range:</b>	<b>277 Volts Single Phase</b>
<b>Maximum Continuous Voltage (MCOV)</b>	<b>320 Volts AC L-G, L-N, N-G</b>
<b>Nominal Discharge Current (In)</b>	<b>10 Ka</b>
<b>Maximum Surge Capacity (Imax)</b>	<b>75 Ka</b>
<b>Voltage Protection Rating (VPR)</b>	<b>1000 Volts</b>
<b>Suppression Technology</b>	<b>MOV</b>
<b>Operating Temperature</b>	<b>-40 C - +80 C</b>
<b>Enclosure Type:</b>	<b>NEMA 4X Indoor Outdoor</b>
<b>Connection Terminals:</b>	<b>Hardwire 14 AWG Pigtail Leads</b>
<b>Standards:</b>	<b>UL Recognized component IEEE IP65</b>
<b>Warranty:</b>	<b>10 Year Warranty</b>



A	B	C	D	E	F
1.73"	1.50"	1.45"	1.57"	1.92"	12.00"
G	H	I	J	K	L
0.787"	0.24"	0.165"	0.79"	0.866"	1.73"



**PSP Products Inc.**  
 8535 Phoenix Drive Manassas VA  
 800-648-6802  
[www.pspproductcs.com](http://www.pspproductcs.com)