



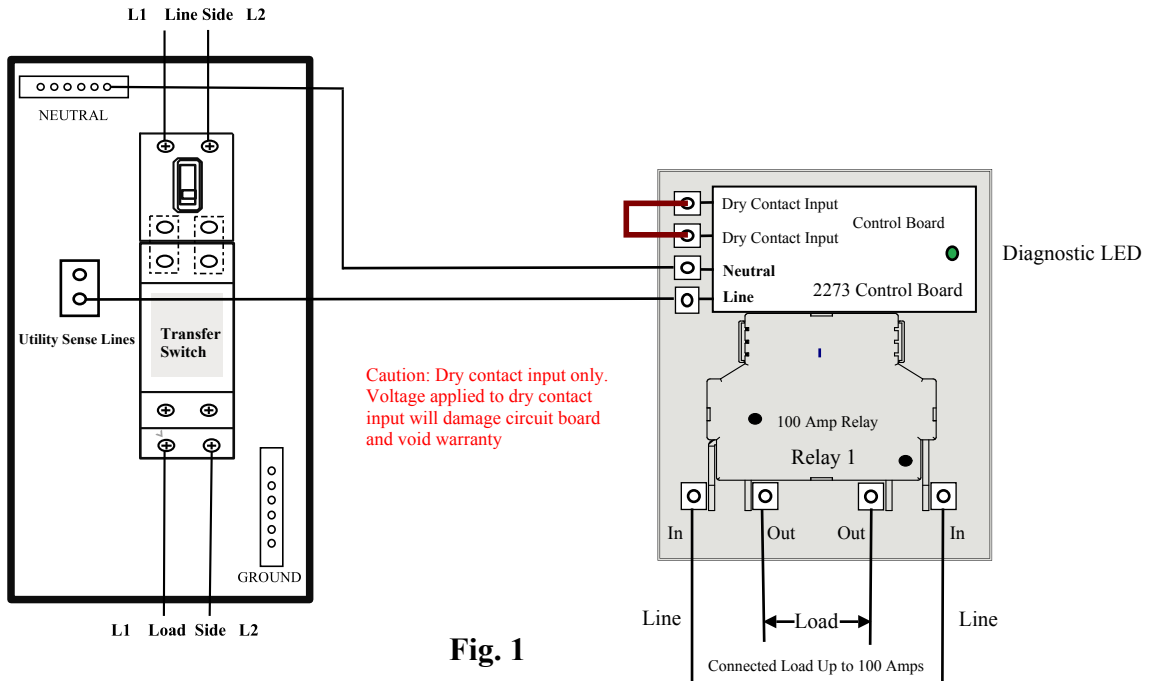
# LS101X1BX Version A

## 100 Amp Latching Relay Configured for Load Dropping with 5 min delay

**IMPORTANT:** Magnetic Relays require power to change state. There is a 5 minute delay before the relay can be toggled to the on state after being switched off or after a power failure.

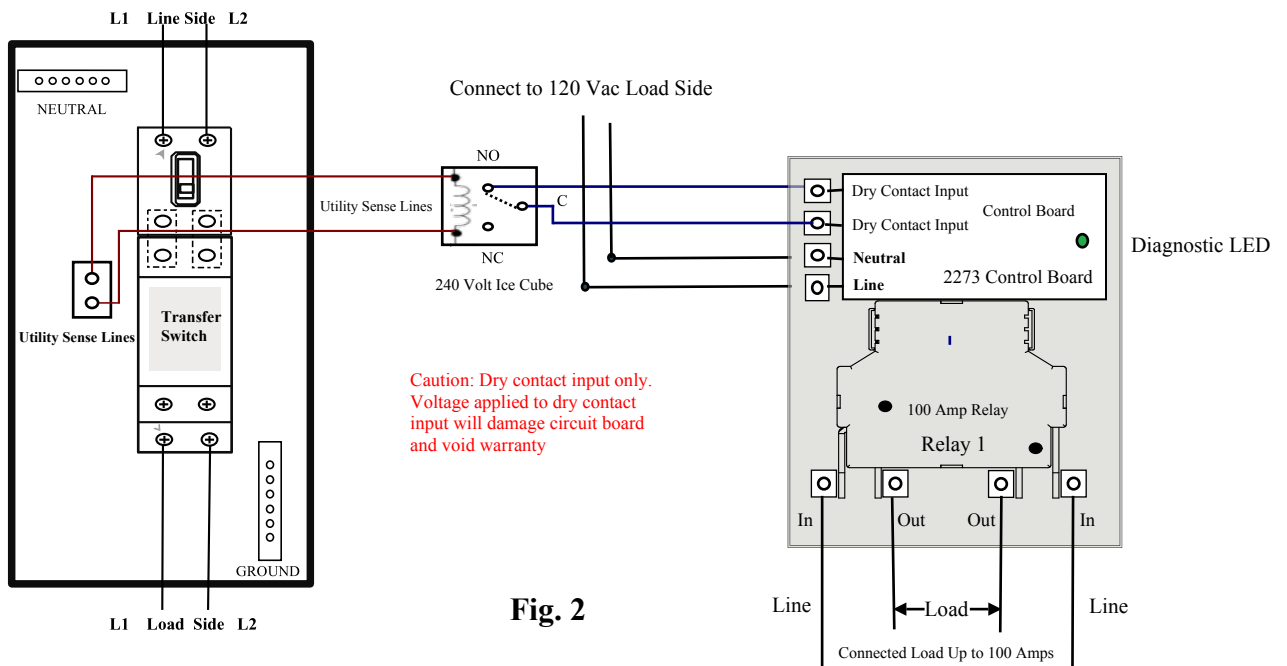
Wiring Configuration for DRY CONTACT control circuit 1-4 Magnetic Relay Models

**Load Dropping using utility sense voltage for the control signal. Relay will restore power 5 minutes after utility voltage is restored.**



**Fig. 1**

**Load Dropping using utility sense voltage to drive ice cube relay. Relay will restore power 5 minutes after utility voltage is restored.**



**Fig. 2**



# LS101X1BX Version A

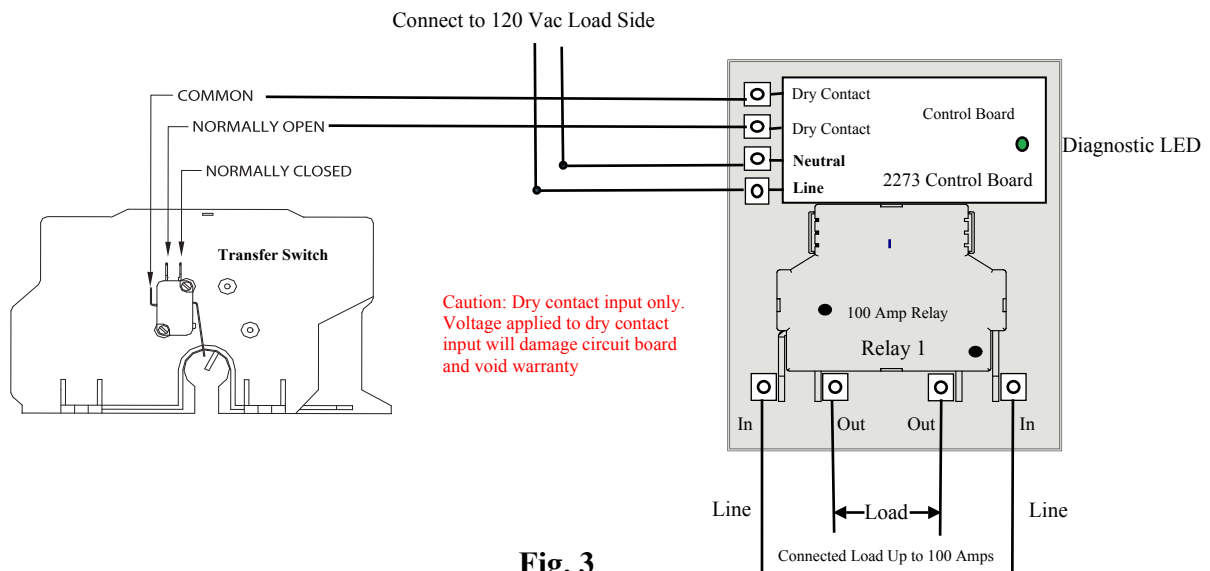
## 100 Amp Latching Relay

### Configured for **Load Dropping** with **5 min delay**

**IMPORTANT:** Magnetic Relays require power to change state. There is a 5 minute delay before the relay can be toggled to the on state after being switched off or after a power failure.

Wiring Configuration for DRY CONTACT control circuit 1-4 Magnetic Relay Models

**Load Dropping using transfer switch dry contacts. Relay will restore power 5 minutes after generator transfers back to utility.**



**Fig. 3**

### Start Up & Testing Dry Contact Control

When power is initially connected to the 120 Vac input terminals the diagnostic LED will blink for 20 seconds and the relay will change state based on the condition of the dry contact input.

- 1) Dry Contacts OPEN - Relay(s) Open
- 2) Dry Contacts Closed - Relay Closed

The relay will remain in position state until the state of the dry contacts changes. In the event of power loss to the 120 Volt AC Input the relay will toggle OFF after a 2 second delay.