

METER SOCKET ADAPTER

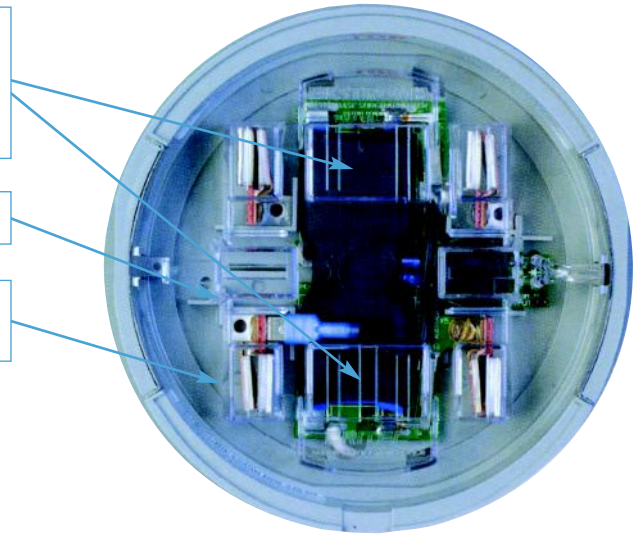
General Specifications



260 Amp Continuous Rating with 325 Amps Max in a 320 Amp meter Can

Low Profile 1.25" Depth

Ground lead with snap-in connection



O V E R V I E W :

PSP Products, Inc. has evaluated the engineering aspects of many meter based surge arrestors and offers one of the most advanced products available. The Vortex™ Residential Series surge arrester features a low-profile (1.2") polycarbonate housing and patented clear safety shield which covers all live components and is designed for safe and easy installation at the meter socket. The product features parallel TVSS circuitry and, in accordance with NEMA LS1 methods of specification, offers a guaranteed 45kA 8/20μ per line rating.

The product was submitted to the Georgia Institute of Technology's NEETRAC Center for full compliance testing and passed seven different tests. The extensive tests enable PSP Products to offer customers a product that has been independently tested with performance ratings that have validity. Other features include the optional 5th jaw configuration for a more reliable neutral connection and easier installation. PSP will repair or replace the product free of charge if damaged by an electrical surge.

O T H E R F E A T U R E S :

- Integrated non-corrosive grounding system**
- Parallel surge protection technology**
- Dual thermal and dual overcurrent protection**
- Remote alarm AMR connections**
- Dual real-time indicating LEDs with viewing port**
- Audible beeper alarm**
- NEETRAC tested and UL listed**
- Fits ringless and ring style sockets**
- Optional 5th jaw for grounded neutral connection**

B E N E F I T S :

The low-profile reduced depth actually improves current carrying characteristics. As meter based products proliferate, the low-profile has obvious advantages over all other surge arresters. The large surge rating (in accordance with NEMA LS1 specifications) results in a more durable product. Internal components provide against obsolescence and are compatible with future AMR infrastructure to include remote utility monitoring. Installation is simplified by a two-piece ground lead with a snap-in connection enabling the grounding wire to be connected independent of the unit. Internal thermal and fuse protection ensure safety during abnormal over-voltage event.



PH : 703-368-8376 | FX : 703-393-9101

8535 Phoenix Dr., Manassas, VA 20110

email: sales@pspproducts.com

website: www.pspproducts.com

METER SOCKET ADAPTER

General Specifications

MODEL NUMBER: **MP-90-4J** **MP-90-5J**

GENERAL OPERATION:

Voltage system: 120/240Vrms 1 ph
Max. continuous operating volatage: 260Vrms
Input frequency: 50/60Hz
Earth leakage current: <2mA
Neutral connection: Flying Lead 5th Jaw



SURGE PROTECTION:

Protection modes: L1-N and L2-N
Max. test surge current L1-N: 45kA 8/20µs
Max. test surge current L2-N: 45kA 8/20µs
SPD circuit description: High energy MOV
Abnormal over-voltage isolation: Thermal disconnects and fusing
Max fault current rating: 10kAIC

SURGE PERFORMANCE:

SVR (UL 1449): 500V
Cat. C1 – 3kA, 8/20µs: >600V
Cat. C3 – 10kA, 8/20µs: <950V

ALARMS & INDICATORS:

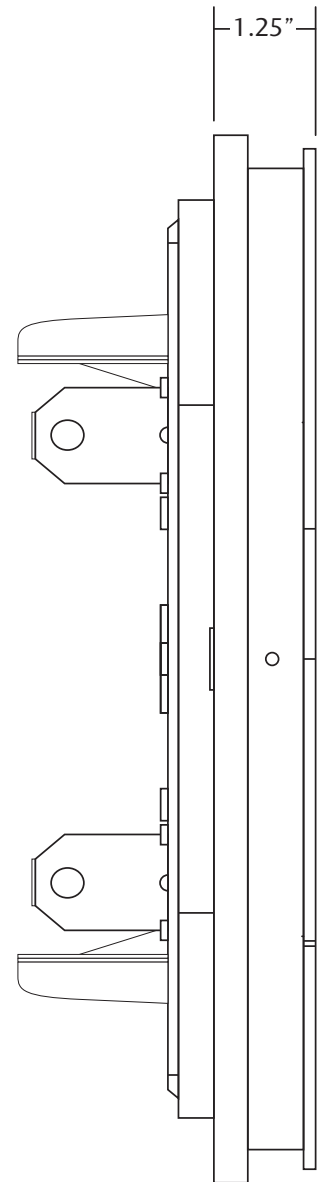
Operational status indication: Fail-safe=red / Normal=yellow (2 LEDs)
Local audible alarm and remote AMR alarm connection

PHYSICAL DATA:

Dimensions: 1.25" x 8.73" OD (32x222mms) approx., fitted
Weight: 1.5th approximate
Enclosure material: Flame retardant polycarbonate
Mounting method: Low profile – Plugs directly into meter socket
Environmental rating: NEMA-3R
Operating temperature: -4 to +176°F (-20 to +80°C)
Humidity: 0 to 90%
Altitude: 0 to 12,000 feet (0 to 3650 meters)
Extended product warranty: 20 Years

LISTING & TESTING STANDARDS:

UL Listed: UL 3rd Edition secondary surge arrester
UL Listed: UL 414SA meter socket adapter
NEETRAC tested for compliance: NEETRAC guidance fo testing MSA SPDs
Surge rated for compliance: ANSI/IEEE C62.41-1991 Cat A, Cat B, and Cat C



P H : 800-648-6802 | F X : 703-393-9101 | email: sales@pspproducts.com

8535 Phoenix Dr., Manassas, VA 20110 | website: www.pspproducts.com