

NCR-50A

2 Pole 50 AMP Normally Closed - Normally Open Relay

Relays Available Individually or as Pre-Assembled Enclosures With 1, 2, 3 or 4 50 Amp Normally Closed Relay



NCR-50A

50 amp Normally Closed Relay with box lugs



LS051X2EX

Two 50 amp Normally Closed Relays
10X10X04 NEMA 01 enclosure



LS051X3EX

Three 50 amp Normally Closed Relays
12X12X04 NEMA 01 enclosure



LS051X4EX

Four 50 amp Normally Closed Relays
15X15X06 3R enclosure

50 Amp Normally-Closed Relay Panels

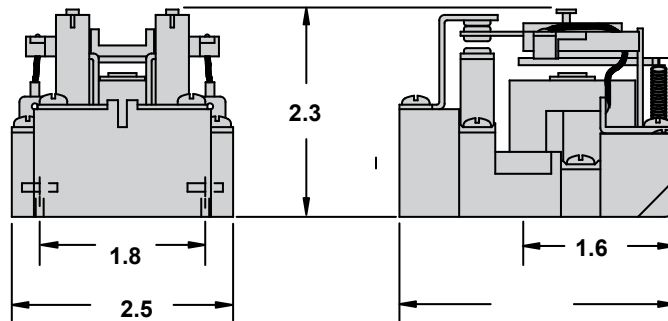
- Normally Closed and Normally Open contacts for universal application
- Available with one, two, three or four relays with termination blocks and grounding bar
- Box Lug termination for easy installation
- Small Footprint, Standard open frame relay configuration
- UL and CUL Listed to UL508 standard as an assembly
- Available as an individual component or mounted in NEMA 01 or 3R enclosures with grounding bar
- Low profile allows for flush mounting in standard 2 X 4 stud wall with optional flush mount cover

NCR-50A

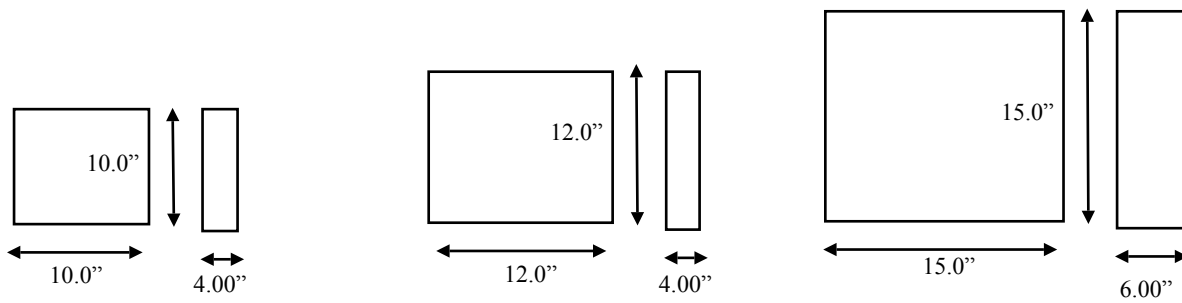
Normally Closed Relay Panels

Specifications

Pole Configuration:	DPDT Silver Alloy Contacts
Maximum Switching Voltage:	250 Volts AC / 30 Volts DC
Maximum Amperage:	50 Amps/250 Volts AC
Operating Voltage:	80% Rated Voltage
Maximum Voltage:	110% Rated Voltage
Contact Resistance:	<100 Meg Ohm
Operate Voltage (25 C):	80% Rated Voltage
Release Voltage (25 C):	30% Rated Voltage
Operating Temperature:	-25 C to 55 C
Normal Coil Power:	10 VA
Dielectric Strength :	2500 VAC / 1 Min Leakage Current 1 ma
Terminal Connections:	CU Rated Box Lug Terminals
Coil Connections:	Screw Terminal
Listings:	UL / CUL



Enclosure Dimensions



LS051X1EX / LS051X2EX

LS051X3EX

LS051X4EX

Specifications Subject to Change With Out Notice

