

RXT Switch Expander

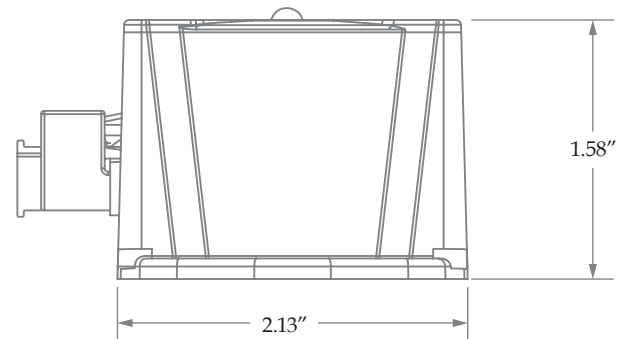
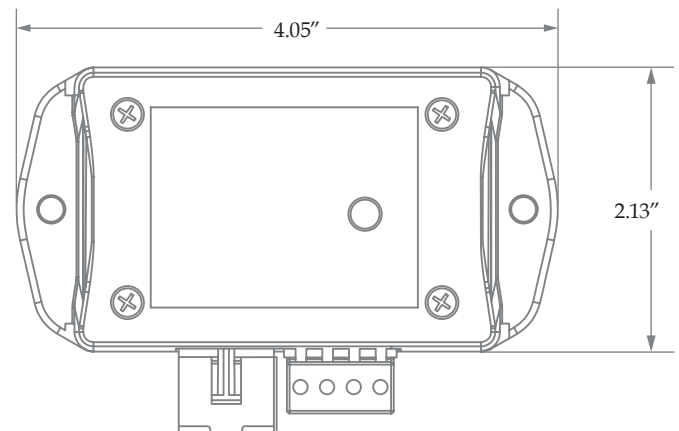
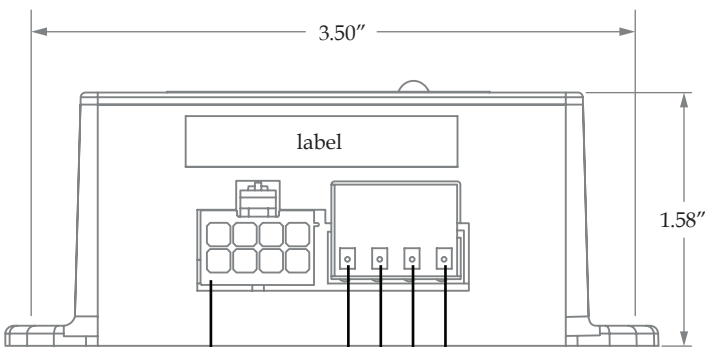
Transfer Switch Expander



Features

- Daisy Chain up to five RXT transfer switches
- Eliminates need for RDT switch as slave switch
- Simple four wire hook-up. No cutting or splicing required
- Transfer switch control board plug, connects directly into the RXT Expander
- Packaged complete with all necessary components for a successful installation
- LED Indicator confirms utility or transfer mode
- Maintenance free, requires no batteries or adjustments
- RXT control board can be removed from slave transfer switches
- Small footprint that easily installs in transfer switch enclosure where control board was located

Device Dimensions



Run these two wires to 12 Volts outputs out of the first transfer switch

Run these two wires to the leaf switch in the first transfer switch

Unplug transfer switch control board plug and remove transfer switch board.

Attach this device to the same location as the board removed.

Plug up the control board plug.