

Typhoon Series UL 1449 4th Edition

T-GEN-1-160-SER-04-N & T1SP-160-SER-04-N

The following materials checklist is provided to assist in installation preparations. Installers might find it helpful to verify that all materials are available

- 3/4 inch conduit and fittings
- Punch for distribution panel, 3/4 inch conduit (26 mm)

General Instructions

SPD Type 1 Installation

No circuit breaker or fuse needed on services up to 10 KAIC fault current.

SPD Type 2 Installation

2 pole, 20/30 Amp, 250 Vac circuit breaker to fit electrical distribution panel on services up to 65 KAIC fault current.

Installation and connection of suppressor

- Find and mark a suitable location (3/4 knockout preferred) for mounting the SPD
- Drill hole or punch knockout where marked on the panel
- Install 3/4 inch conduit through panel and secure with jam nut
- Turn power off to all circuits
- Connect wires from suppressor to panel per instructions provided depending on type of installation

SPD Type 1 Generator Transfer Switch

- Connect green wire to ground bar
- Connect white wire to neutral bar or ground bar if Service Entrance Rated
- Connect black wires to load side or line side lugs using Piggy Back Spade Terminals* provided to the spade terminals at the appropriate lugs. In the event spade terminals are not available, use the Flat Blade Terminals** provided (See Diagram C)

SPD Type 1 Meter can installation

- Connect green wire to ground bar
- Connect white wire to ground bar
- Connect black wires to load side lugs using flat blade terminals supplied (See Diagram A)

SPD Type 2 Main panel installation

- Install SPD circuit breaker
- Connect green wire to ground bar
- Connect white wire to neutral bar
- Connect black wires to SPD circuit breaker (See Diagram B)

Type 1 and Type 2 SPD Installation Diagrams

Diagram "A" Meter Can Installation

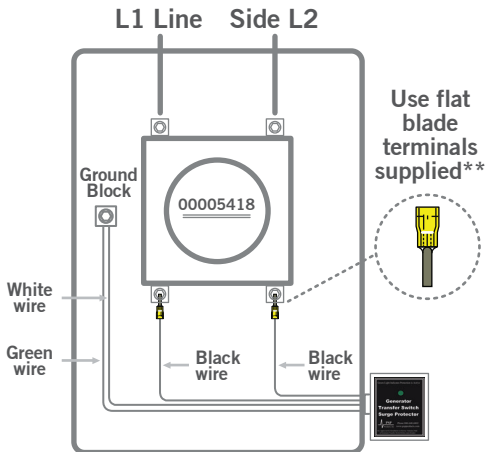


Diagram "B" Type 2 Main Panel

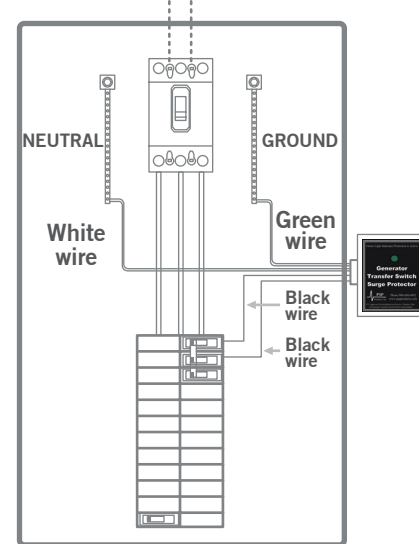
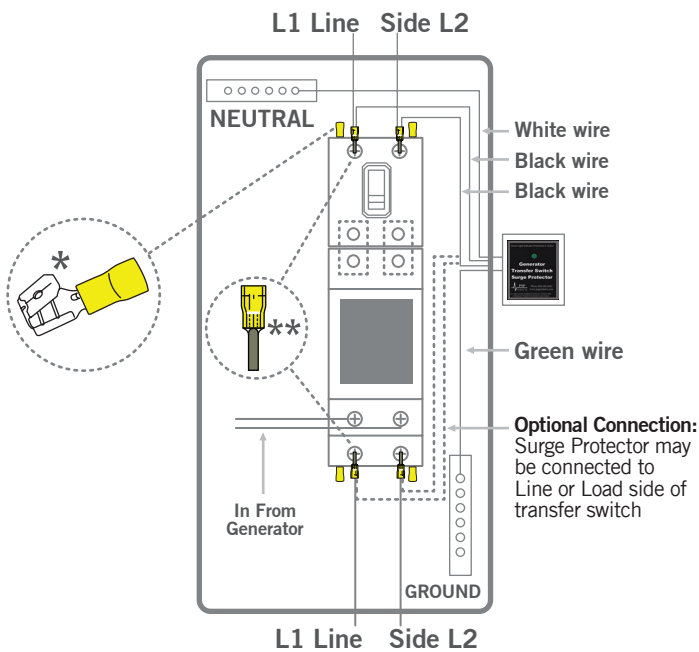


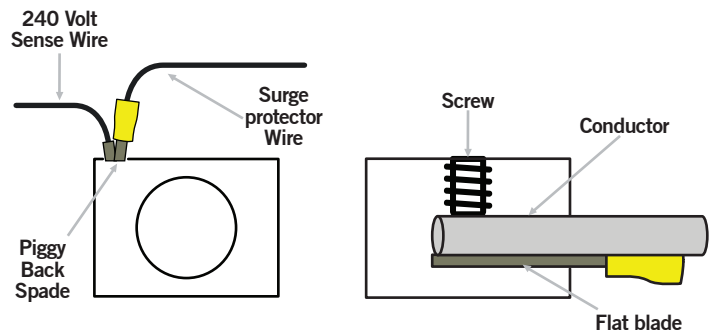
Diagram "C" Generator Transfer Switch Surge Protector Installation



Connect black wires to load side or line side lugs using Piggy Back Spade Terminals* provided to the spade terminals at the appropriate lugs.

In the event spade terminals are not available, use the Flat Blade Terminals** provided and install as shown in diagram "C".

Note flat blade terminals must be installed UNDER the main conductor as shown below.



*PBDV5-250 Vinyl Insulated Piggy Back Terminals 12-10 AWG MAX ELECTRICAL RATING: 105° C 600 Volts Max., Terminal material: Brass, UL recognized E128651, CE certified, Insulation Material: Vinyl.

**DBVE5-18 Insulated Flat Blade Terminal 12-10 AWG MAX ELECTRICAL RATING: 105° C 600 Volts Max., Terminal material: Copper, UL recognized E128651, CE certified, Insulation Material: Vinyl.