

Residential - Light
Commercial

Type 1 - In 20 Ka

TYPHOON SERIES

T1SP-160-04-N

SURGE PROTECTIVE DEVICE'S (SPD)

TYPHOON SERIES 120/240 SPLIT PHASE WHOLE HOUSE SURGE PROTECTOR



Features

- UL 1449 3rd Edition Listed **Type 1 In 20kA**
- Common mode suppression with 160,000 surge amp capacity
- Thermal fused metal oxide varistor (MOV) suppression technology
- Light-emitting diode (LED) visual protection status indicator
- Type NEMA 04X Indoor - Outdoor-rated Enclosures

Basic Applications

- Residential
- Telecommunications
- Light commercial applications



8535 Phoenix Drive,

Manassas VA 20110

Phone: 800-648-6802

www.PSPProducts.net

TYPHOON SERIES

T1SP-160-04-N

SURGE PROTECTIVE DEVICE' (SPD)

T1SP-160-04-N Specifications

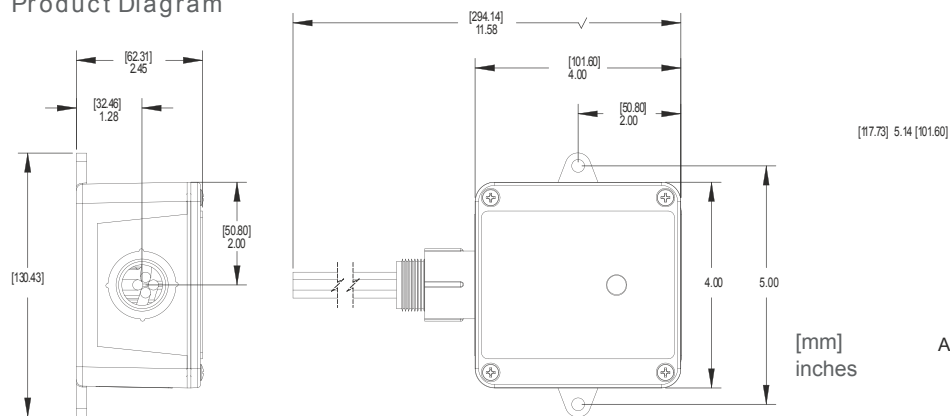
Electrical

Model	T1B160-4X-NF	
Surge Protection Device (SPD) Type to UL	Type 1	
Operating AC Voltage	120/240 V 3W+G	
Maximum Continuous Operating AC Voltage (MCOV):		
Line-Neutral	140 V	
Line-Ground	140 V	
Neutral-Ground	140 V	
Line-Line	280 V	
Nominal Discharge Current [I_n]	20 kA	
Maximum Surge Current Capacity [I_{max}]:		
Line-Neutral	80 kA	
Line-Ground	80 kA	
Neutral-Ground	80 kA	
Line-Line	100 kA	
Fault Current Rating	10kA No Breaker 200ka With Breaker	
Voltage Protection Rating (VPR):		
Line-Neutral	600 V	
Line-Ground	1000V	
Neutral-Ground	600 V	
Line-Line	1000V	
Suppression Technology	MOV	

Mechanical

Connection Terminal (Suppression) Hardwired	#12 AWG pigtail leads
Operation Temperature (°C)	-40° C to +80° C
Enclosure Type (Outdoor)	Type 4 PVC Plastic
Enclosure Dimension (L x W x H)	4 . 0 x 4.0 x 2.45 [294.14 x 130.43 x 62.31mm]
Weight	2.5 lbs [1.81 kg]

Product Diagram



AWG=American Wire Gauge



8535 Phoenix Drive,
Manassas VA 20110
Phone: 800-648-6802

www.PSPProducts.net