

# PSP PRODUCTS INC.

## Flush Mount Kit Installation Instructions

### THIS PACKAGE CONTAINS

- (A) Qty. 2 8-32 Phillips Pan Head Screw,  $\frac{3}{4}$ " (Longer screws)
- (B) Qty. 2 M3.5x6x8mm Posidrive Screw (Shorter screws)
- (C) Qty. 2 Mounting Brackets
- (D) Qty. 1 Plate,  $9\frac{3}{4}$ " x  $7\frac{3}{4}$ "

### ASSEMBLY

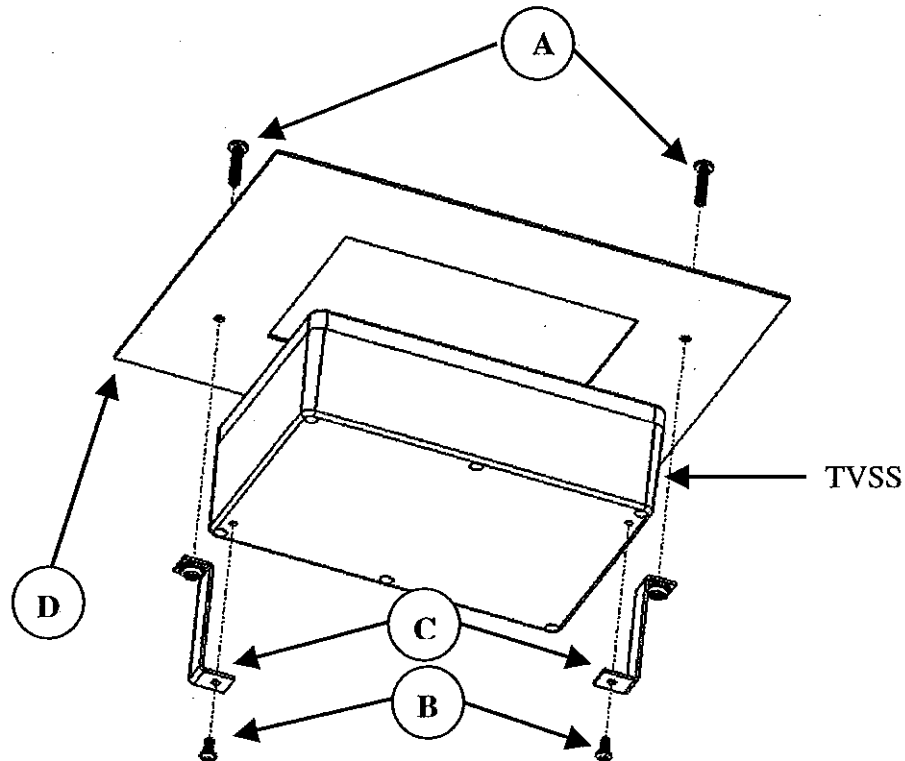


Figure 1: Exploded View

1. Using two of the screws (B) provided, attach the two mounting brackets (C) to the TVSS as shown in Figure 1.
2. Install the TVSS per the Installation Instructions provided with the TVSS. Be sure to mount the front surface of the TVSS flush with external surface of the wall.
3. Using the other two screws (A) provided, attach the plate (D) to the TVSS via the mounting brackets.

For support, please phone PSP Products Inc at (800) 648-6802.